

Scissor grips 2, 5, 20 and 50 kN

Self-tightening and self-aligning grips

The initial grip is provided by spring tension. The ratio of clamping force to tensile force changes according to the opening width. The larger the opening width the stronger the grips tightens the specimen. The jaws tighten themselves during force application.

TH11-5 Scissor grips

Item No.:	TH11-5
Tensile force:	5 kN
Opening:	0 - 19 mm
Sample width:	50 mm
Body:	Stainless steel
Temperature range:	-70 up to +130°C Other temperature ranges on request
Weight:	980 gram each grip (without jaws)

Jaws for TH11-5

Item number	Surface	Clamping surface H x W	Weight per pair
TH11-5-B	Blank (smooth) jaws	20x50 mm	240 gram
TH11-5-BP	Pyramid (serrated) jaws	20x50 mm	240 gram

Other surfaces on request



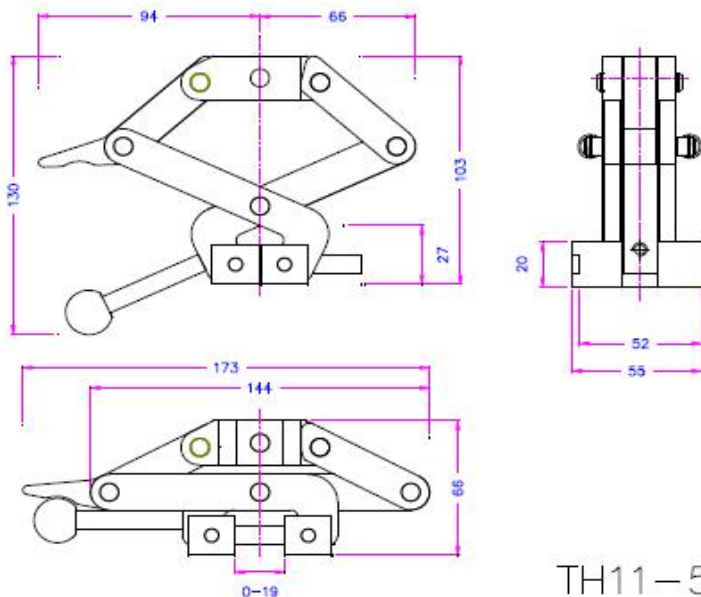
TH11-5 with TH11-5-BP jaws



Blank jaws (smooth)
- Suitable for own further treatments
- Steel blanks without coating



BP –multi-purpose application range
- Pyramid (serrated) jaws 1.2x45°
- Hardened steel 58HRC, nickel plated



TH11-5



Ordering information

TH11-5 grips are supplied as a pair, but can also be ordered separately (0,5 pair). Grips and jaws need to be ordered separately.

AMSE S.r.l. Analytical & Material Science Equipment

P. IVA 09762820018 | Strada della Cebrosa 86 | 10156 Torino (TO) Italy | Tel. +39.011.27.30.000 | Fax +39.011.27.404.58 |

info@amse.it www.amse.it

TH11-20 Scissor grips

With locking function (snap in): the grip locks in the opened position.
(Not by use of round jaws)

Item No.:	TH11-20
Tensile force:	20 kN
Opening:	Flat jaws 0 – 25 mm Round jaws 0 – 20 mm V-jaws for round specimen: 4 – 16 mm Ø
Sample width:	50 mm and 100 mm
Body:	Stainless steel
Temperature range:	-70 up to +130°C Other temperature ranges on request
Weight:	2 kg each grip (without jaws)



TH11-20 with TH11-20-BW100 jaws

Jaws for TH11-20

Item number	Surface	Clamping surface H x W	Weight per pair
TH11-20-B	Blank (smooth) jaws	25x50 mm	0.34 kg
TH11-20-BP	Pyramid (serrated) flat jaws	25x50 mm	0.33 kg
TH11-20-BR*	Pyramid (serrated) round jaws	Ø 25 mm x 52 mm	0.31 kg
TH11-20-BV4	V-jaws for round specimen	Samples 4-15 mm Ø	0.45 kg
TH11-20-BW	Wave jaws	25x50 mm	0.32 kg
TH11-20-B100**	Blank (smooth) jaws	25x 100 mm	0.74 kg
TH11-20-BP100**	Pyramid (serrated) flat jaws	25x100 mm	0.72 kg
TH11-20-BW100**	Wave jaws	25x100 mm	0.69 kg

Other surfaces on request

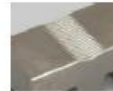
*Round jaws are applicable for dumbbell-shaped specimen (bone shaped samples).
**By use of 100 mm width jaws tensile force is reduced to 10kN.



B - Blank (smooth) jaws
- Suitable for own further treatments
- Steel blanks without coating



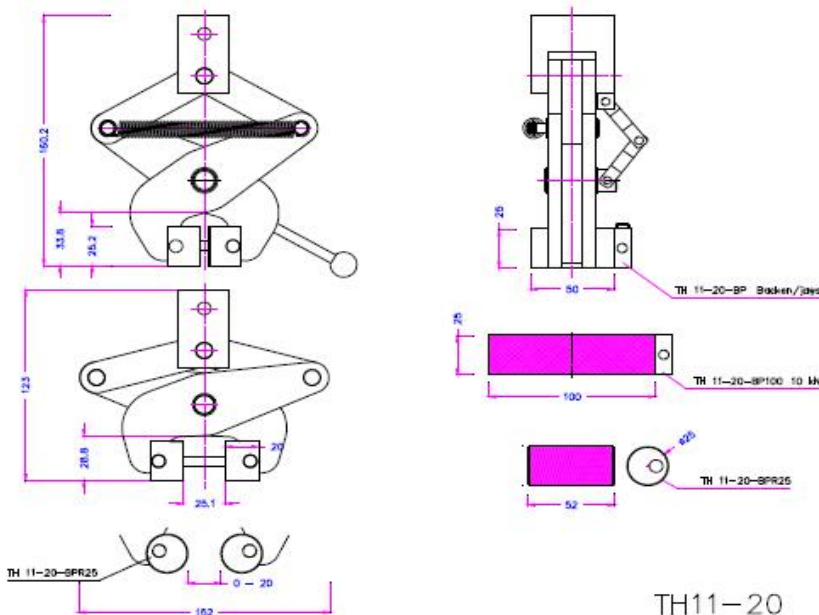
BP - Multi purpose application range
- Pyramid (serrated) jaws 1.2x45°
- Hardened steel 58HRC, nickel plated



BV-jaws- for all kinds of round samples
- Tooth pitch 1.2 mm
- Hardened steel 58 HRC, nickel plated



BW Wave jaws - For textile specimen
- Wave 5 mm
- Hardened steel 58 HRC, nickel plated



TH11-20



TH11-20 with TH11-20-BR jaws

Ordering information

TH11-20 grips are supplied as a pair, but can also be ordered separately (0.5 pair).
Grips and jaws need to be ordered separately.

TH11-50 Scissor grips

With locking function (snap in): the grip locks in the opened position.

Item No.:	TH11-50
Tensile force:	50 kN
Opening:	Flat jaws 0 - 48 mm V-jaws for round specimen: 10 - 48 mm Ø
Sample width:	100 mm
Body:	Steel, manganese phosphate coating
Temperature range:	0 up to +130°C Other temperature ranges on request
Weight:	9.1 kg each grip (without jaws)

Jaws for TH11-50

Item number	Surface	Clamping surface H x B	Weight per pair
TH11-50-BP	Pyramid (serrated) jaws	50x100 mm	1.9 kg
TH11-50-BV10	V-jaws	Samples 10-48 mm Ø	2.0 kg

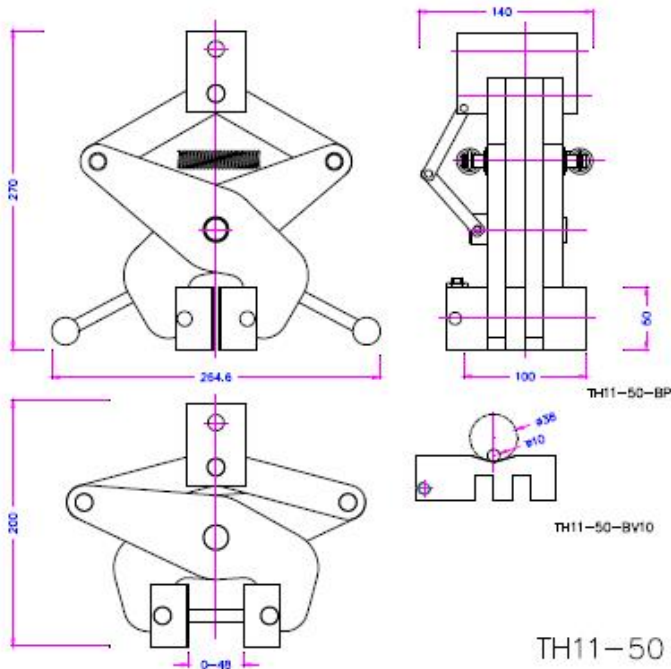
Other surfaces on request



BP Pyramid jaws
- Pyramid (serrated) jaws 1.2x45°
- Hardened steel 58 HRC, nickel plated



BV-jaws- for all kinds of round samples
- Tooth pitch 1.2 mm
- Hardened steel 58 HRC, nickel plated



TH11-50 with TH11-50-BP jaws

Ordering information

TH11-50 grips are supplied as a pairs but can also be ordered separately (0.5 pair).
Grips and jaws need to be ordered separately.

Jaws for TH11-20



TH11-20+BP + BR + BV + BW



BR BV BW BP BD

BW100 BP100 BD100