

TH83 Pneumatic grip

Clamping force: 7 kN /7 bar (max.16 bar)

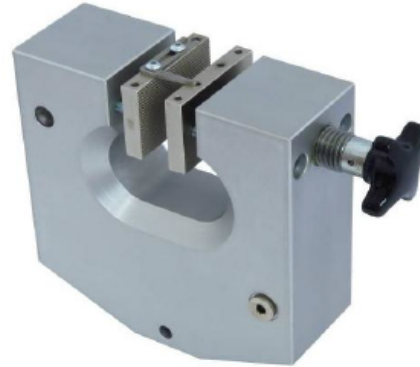
Standard temperature range: 0 °C - +70°C
Further temperature ranges on request

Body made of aluminum

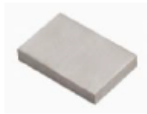
Pneumatic internal thread connection: 1/8"

Weight 3.2 kg each without jaws

Scope of supply: 1 pair



Jaws for TH83: Scope of supply: 1 set = 4 jaws



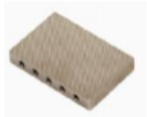
Blank (smooth) jaws

- Suitable for own further treatments
- Steel-blanks without coating



Rubber coated jaws

- 1 mm rubber coating (NBR)
- Nickel-plated



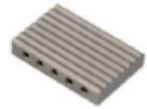
Pyramid jaws (serrated)

- Pyramids 1,2x45
- Hardened steel 58HRC
- Nickel-plated^o



V-jaws

- For all kinds of round samples
- Tooth pitch 1.2 mm
- Hardened steel 58HRC
- Nickel-plated



Wave jaws (corrugated)

- For flexible materials
- Wave 5 mm
- Hardened steel 58HRC
- Nickel-plated



Diamond coated jaws

- Clamping surface coated with synthetic diamonds D91 (170/200 mesh)
- Nickel-plated

Item number	Surface	Clamping surface H x W	Opening*	Temperature range	Weight/1 pair
TH83-B	Blank jaws	40 x 60 mm	0 - 10 mm	+20 °C - +180°C	0.35 kg
TH83-BG	Rubber coated jaws	40 x 60 mm	0 - 10 mm	- 70 °C - +70°C	0.36 kg
TH83-BP	Pyramid jaws	40 x 60 mm	0 - 10 mm	- 70 °C - +180°C	0.33 kg
TH83-BV4	V-jaws	clamping height 40 mm	4 - 12 mm Ø	- 70 °C - +180°C	0.35 kg
TH83-BV6	V-jaws	clamping height 40 mm	6 - 30 mm Ø	- 70 °C - +180°C	0.34 kg
TH83-BW	Wave jaws	40 x 60 mm	0 - 10 mm	- 70 °C - +180°C	0.40 kg
TH83-BD	Diamond coated jaws	40 x 60 mm	0 - 10 mm	- 70 °C - +180°C	0.35 kg
TH83-B100	Blank jaws	40 x 100 mm	0 - 10 mm	+20 °C - +180°C	0.72 kg
TH83-BG100	Rubber coated jaws	40 x 100 mm	0 - 10 mm	- 70 °C - +70°C	0.74 kg
TH83-BP100	Pyramid jaws	40 x 100 mm	0 - 10 mm	- 70 °C - +180°C	0.69 kg
TH83-BW100	Wave jaws	40 x 100 mm	0 - 10 mm	- 70 °C - +180°C	0.66 kg
TH83-BD100	Diamond coated jaws	40 x 100 mm	0 - 10 mm	- 70 °C - +180°C	0.72 kg
TH83-BW200	Wave jaws	60 x 200 mm	0 - 10 mm	0 °C - +180°C	3.00 kg

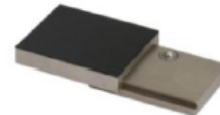
*Rods for openings 10 - 20 mm and 20 - 30 mm are included in the scope of delivery of the grips

Inset jaws for TH83:

Jaw quick changing system

Inset jaws require carriers (TH83-GT)

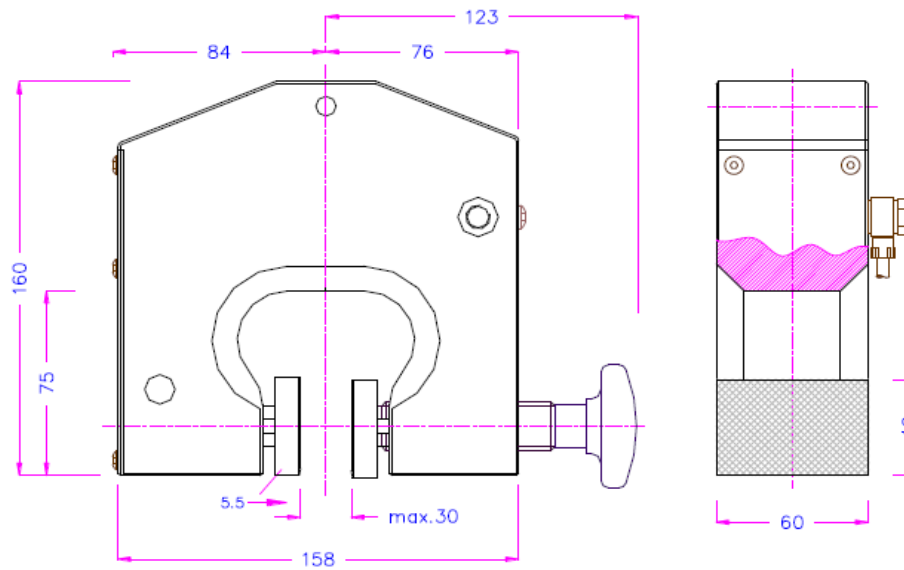
Scope of delivery: 1 set = 4 jaws



Item number	Surface	Clamping surface H x W	Opening*	Temperature range	Weight/1 pair
TH83-GT	Carrier	-	-	- 70 °C - +180°C	0.33 kg
TH83-EBB	Blank inset jaws	50 x 60 mm	0-9 mm	+20 °C - +180°C	0.29 kg
TH83-EBG	Rubber coated inset jaws	50 x 60 mm	0-9 mm	- 70 °C - +70°C	0.30 kg
TH83-EBP	Pyramid inset jaws	50 x 60 mm	0-9 mm	- 70 °C - +180°C	0.28 kg
TH83-EBW	Wave inset jaws	50 x 60 mm	0-9 mm	- 70 °C - +180°C	0.26 kg
TH83-EBD	Diamond coated inset jaws	50 x 60 mm	0-9 mm	- 70 °C - +180°C	0.29 kg
TH83-GT100	Carrier	-	-	- 70 °C - +180°C	0.69 kg
TH83-EB100	Blank inset jaws	50 x 100 mm	0-9 mm	+20 °C - +180°C	0.63 kg
TH83-EBG100	Rubber coated inset jaws	50 x 100 mm	0-9 mm	- 70 °C - +70°C	0.65 kg
TH83-EBP100	Pyramid inset jaws	50 x 100 mm	0-9 mm	- 70 °C - +180°C	0.60 kg
TH83-EBW100	Wave inset jaws	50 x 100 mm	0-9 mm	- 70 °C - +180°C	0.57 kg
TH83-EBD100	Diamond coated inset jaws	50 x 100 mm	0-9 mm	- 70 °C - +180°C	0.63 kg

*Rods for opening 9-19 mm are included in the scope of delivery of the grips

Jaws with other dimensions and surface coatings on request



TH83 + TH83-BW200



TH83 + TH83-GT100 + TH83-EBG100

Accessories:

TH205-1 Foot pedals

None locking: The jaws of the grip open by pressing the foot pedal and close after removing the foot from the pedal.

Scope of delivery: 1 pair of foot switches including tubes and fittings


TH205-2 Foot pedals

With locking function: The jaws of the grip open by pressing the foot pedal and remain opened after removing the foot from the pedal. The jaws close by pressing the pedal one more time.

Scope of delivery: 1 pair of foot switches including tubes and fittings


TH205-PR Pressure regulator

Optional for TH205-1 or TH205-2

To adjust air pressure: 1-10 bar


TH205-3 Hand switches

With locking function: The jaws of the grip close by pulling the handle and remain closed. The jaws open by pushing the handle back.

Scope of delivery: 1 unit of hand switches including tubes and fittings


TH205-4-1/8" Hand switches for TH83

Pneumatic micro - hand switches, tubes and fittings, 1/8" connection

The hand switches are directly mounted at the grips. 3/2 directional valve

Scope of supply: 2 hand switches including tubes and fittings

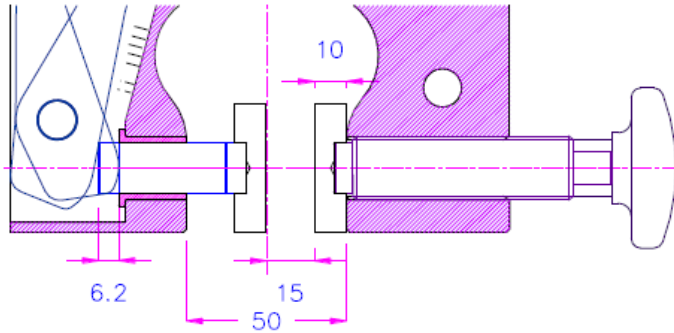

TH216 Compressor for laboratories, oil-lubricated

Max pressure 16 bar, 230 V, noise level: 38dB(A)/1m

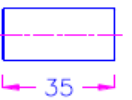
Displacement 5 l/min, tank size 3.1 litre (0.82 gallon)

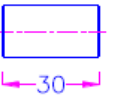
Dimensions: 340x290x340 mm (L x W x H); weight 16 kg

Different voltages available on request

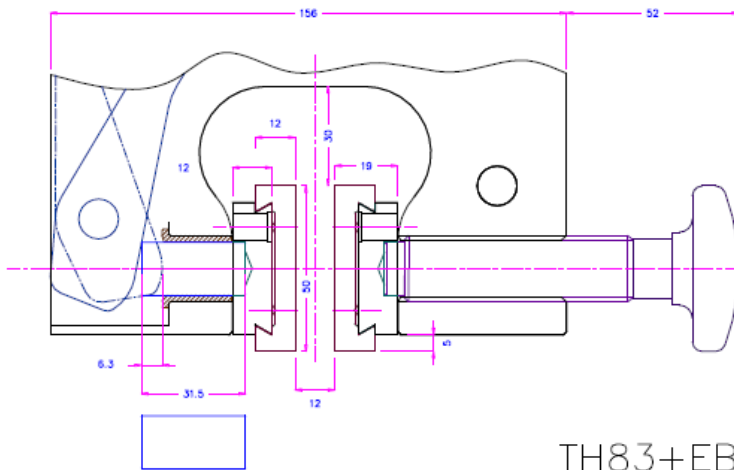


0-5  for samples 0-10mm
40

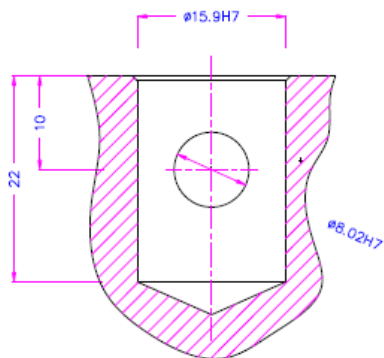
5-10  for samples 10-20mm
35

10-15  for samples 20-30mm
30

TH83-inside



TH83+EB



Af159 (5/8")