

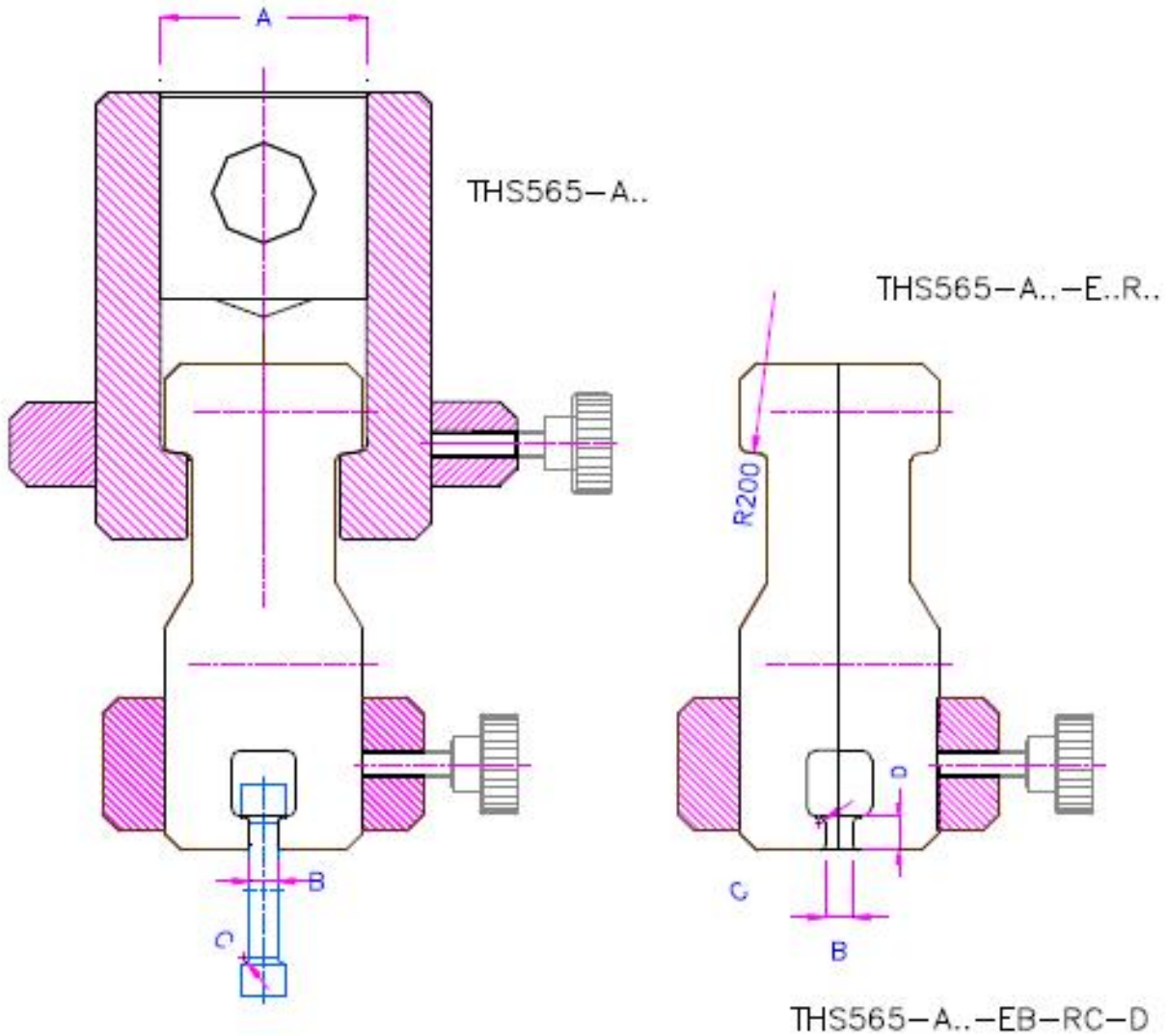
THS565

Chuck grip

Closed support
Spherical seated

hardened

Scope of delivery 1 pair



THS565-60-GT

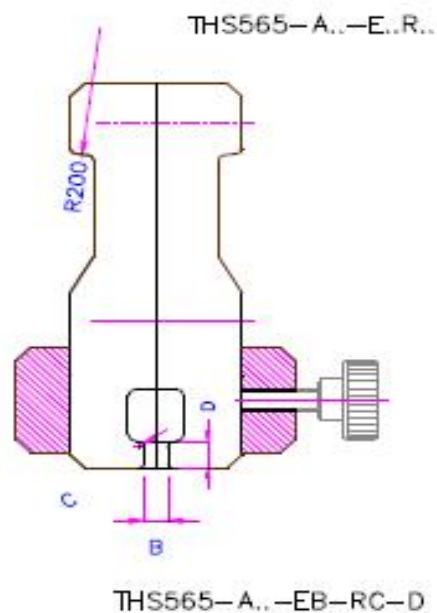
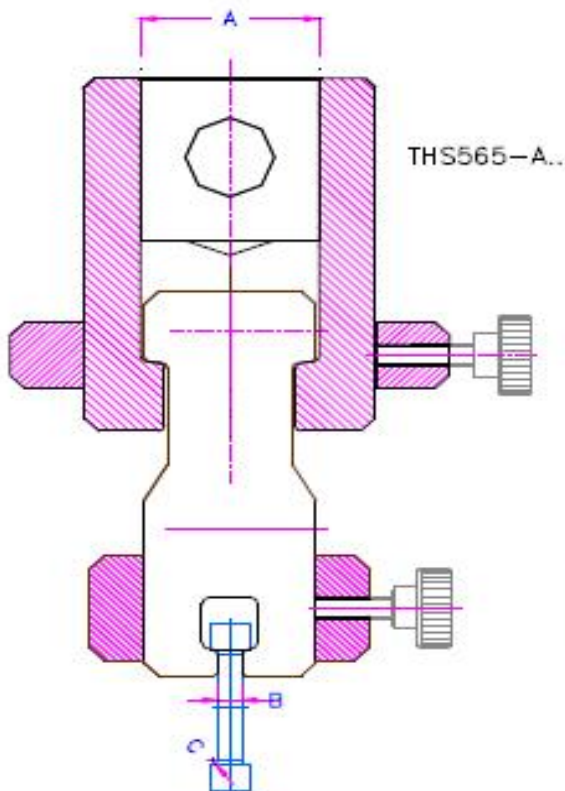
Adapter 60 mm diameter
 Nickel coated
 F max 300 kN
 Weight 4.5 kg



THS565-60-E5R1.5-Ni

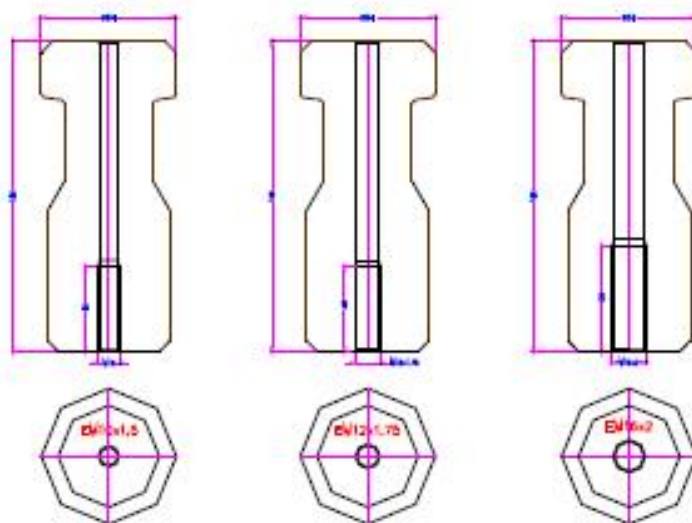
Insert for chuck 2 half parts
 per set
 nickel coated

THS565-60 + E8R2-10
 Insert for chuck 2 parts ↓



THS565-60-EM10
THS565-60-EM12x1.75
THS565-60-EM16x2

Weight 2.5 kg



THS565-60-ETr16x2

2 parts



