

## THS223 Compression platen

Self-aligning and fixable platen.  
Spherically seating - the platen adjusts to the specimen. It is also possible to fix the platen at the required position.

**THS223k: for couplings Ø 12 – 25 mm**  
**THS223g: for couplings Ø 30 - 40 mm**

- Applicable for metal specimens, concrete etc
- Hardened steel 58 HRC, phosphate coating
- Temperature range: 0°C - +280°C  
Nickel plated: -70°C - +280 °C (on request)

**THS223i: for couplings up to Ø 8 mm**

- For low weight specimens (packaging material etc)
- Aluminum, anodized
- Temperature range: -70°C - +180°C

### Ordering Information

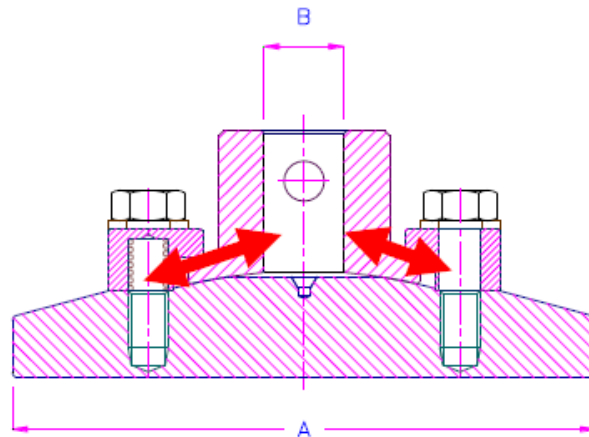
Scope of delivery: 1 platen



THS223i for adapter up to 8 mm Ø			
Item number	Diameter	Weight	Radius
THS223i-56	56 mm	~ 60 g	50
THS223k for adapter 12 - 25 mm Ø			
Item number	Diameter	Weight	Radius
THS223k-56	56 mm	~1.27 kg	100
THS223k-96	96 mm	~1.4 kg	100
THS223k-116	116 mm	~1.7 kg	100
THS223k-156	156 mm	~2.7 kg	100
THS223g for adapter 30 - 40 mm Ø			
Item number	Diameter	Weight	Radius
THS223g-56	56 mm	~5.3 kg	200
THS223g-96	96 mm	~6.1 kg	200
THS223g-156	156 mm	~5.6 kg	200
THS223g-196	196 mm	~7.4 kg	200
THS223w for adapter 50 - 60 mm Ø			
Item number	Diameter	Weight	Radius
THS223w-196	196 mm	~9.8 kg	300

Other dimensions on request

The max. capacity depends on the size of coupling (B).



### Description of Item Number THS223-A-B

**A** Diameter of platen [mm] 56, 96, 116, 156, 196

**B** Adapter/ Coupling e.g.  
THS223i: [mm] 8 etc  
THS223k: [mm] 15.9, 20 - male [mm] 20, 22 etc  
THS223g: [mm] 30, 31.8, 32, 36, 40 - male [mm] 31.7 etc



THS223i-56



THS223k-116



THS223g-56

AMSE S.r.l. Analytical & Material Science Equipment

P. IVA 09762820018 | Strada della Cebrosa 86 | 10156 Torino (TO) Italy | Tel. +39.011.27.30.000 | Fax +39.011.27.404.58 |

[info@amse.it](mailto:info@amse.it) [www.amse.it](http://www.amse.it)



**THS223k-116-NI**  
Temperature range -70°C-280°C



**THS223k-296**



**THS223w-196-60-Ni**  
Adapter size 60 mm Surface nickel



**THS223g-156-Am317**  
Adapter male 31.7 mm diameter



**TH23-196-Af60**  
**THS223w-196-Af60**



**THS223g-396x596**



**THS223k-D200-L6-20-AL**



**THS223s-136**



**THS223w-196-60 +**  
**THS464-60-175**



**THS223g-150x180**



**THS223k-114x114-AL**



**THS223z-156-Af80**  
500 kN



**THS223b-220-M20 600 kN**



**TH36-250+THS223k-Af159**



**THS223i-100x100**



THS223w-196-Af60-Nickel

THS223w-196-Af60 - black

+

THS464-60-M33x2



### TH36-L Aluminum plate

- Perforated platen suitable for foam testing.
- Aluminum anodized
- Diameter of holes: 6 mm spaced 20 mm
- Temperature range : 0°C - +180°C
- Max capacity depends on the size of coupling
- Scope of supply 1 plate

Item number	Dimensions	Weight
TH36L-150-L6x20	150 x 150mm	1.10kg
TH36L-200-L6x20	200 x 200mm	1.95kg
TH36L-400-L6x20	400 x 400mm	8.20 kg

Further dimensions and versions on request

