



THS145-45-Am318 ASTM
D4833

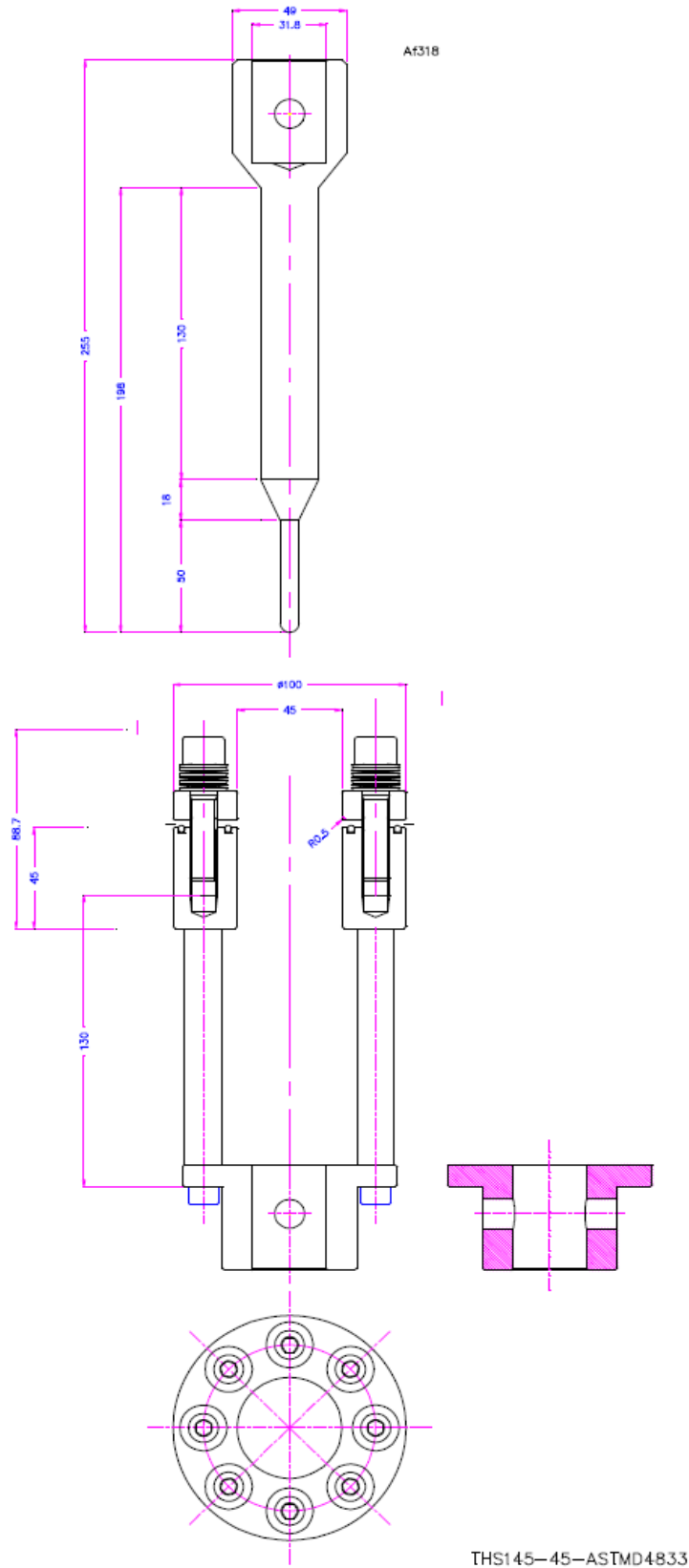
Male Adapter Version



AMSE S.r.l. Analytical & Material Science Equipment

P. IVA 09762820018 | Strada della Cebrosa 86 | 10156 Torino (TO) Italy | Tel. +39.011.27.30.000 | Fax +39.011.27.404.58 |

info@amse.it www.amse.it



THS145-45-Af318 ASTM D4833
Female Adapter version