

## TH193-V1 SHEAR TEST FIXTURE

Parallel

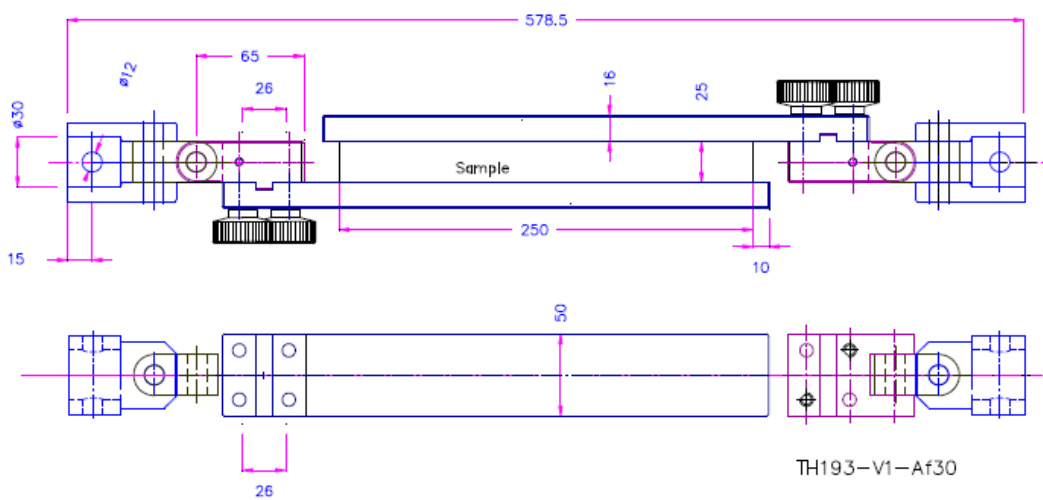
Conforms to  
NFT 56-605, ISO 1922-1981

Max. force capacity 25 kN

Coupling Af15.9 mm or Af31.8 mm  
(other couplings on request)

Steel

Scope of delivery: 1 pair



## TH193-V2 SHEAR TEST FIXTURE

Angle

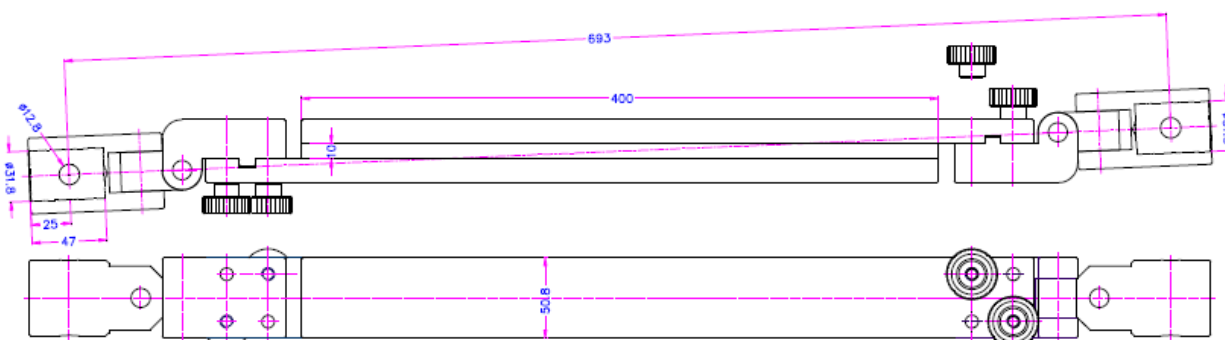
Conforms to ASTM C273

Max. force capacity 35 kN

Coupling Af15.9 mm or Af31.8 mm  
(other couplings on request)

Steel

Scope of delivery: 1 pair



### TH193-V4 SHEAR TEST FIXTURE

#### Adjustable

Conforms to  
NFT 56-605, ISO1922-1981,  
ASTM-C273, EN12090

Max force capacity:  
10 kN for samples 10-30 mm thick  
9 kN for samples 30-50 mm thick  
5 kN for samples 50-110 mm thick

Coupling Af15.9 mm or Af31.8 mm  
(other couplings on request)

Steel

Scope of delivery: 1 pair



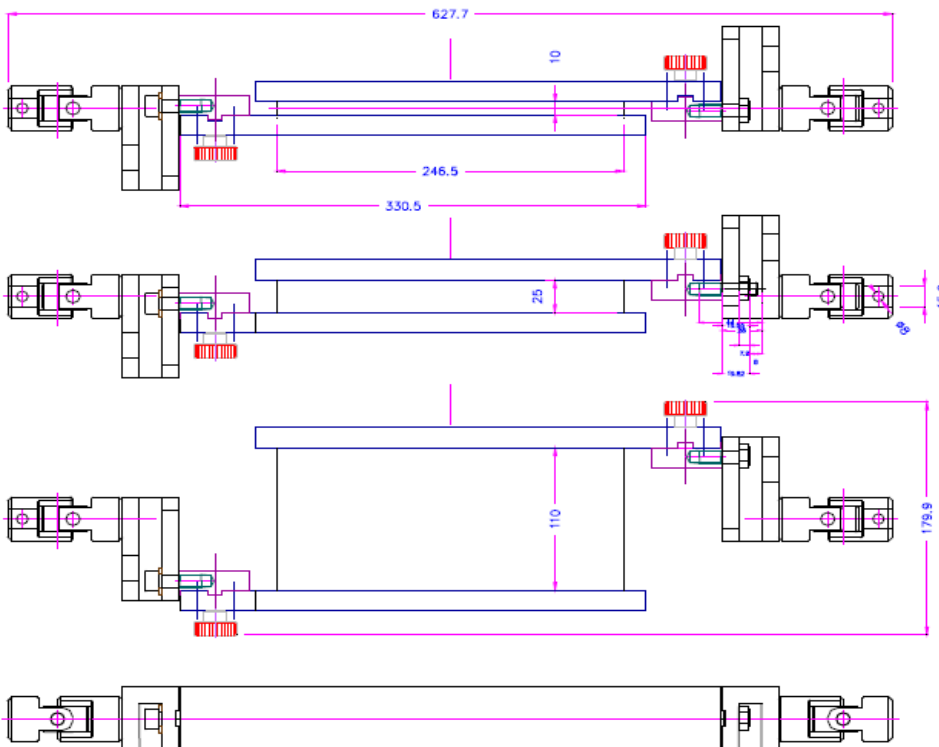
TH194-V4-Af159 left part



TH193-V4-Am317 right part



TH193-V4 without adapter



TH193-V4-Af159

AMSE S.r.l. Analytical & Material Science Equipment

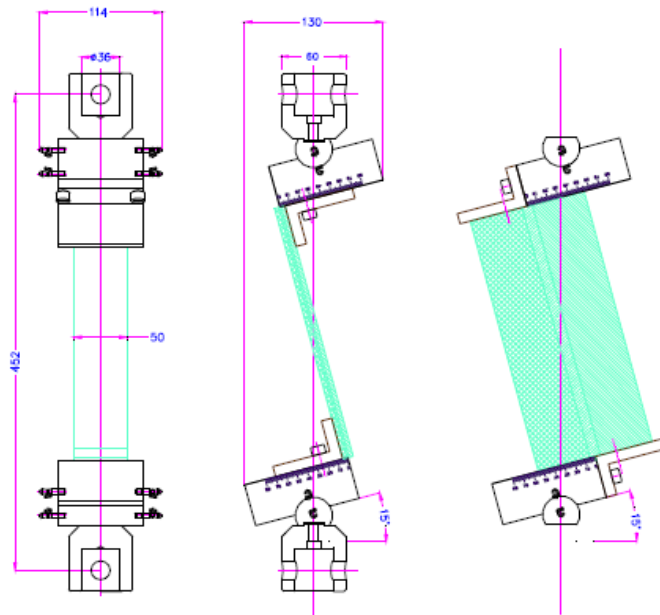
P. IVA 09762820018 | Strada della Cebrosa 86 | 10156 Torino (TO) Italy | Tel. +39.011.27.30.000 | Fax +39.011.27.404.58 |

[info@amse.it](mailto:info@amse.it) [www.amse.it](http://www.amse.it)

### Examples for customized solutions:

#### TH193-V5

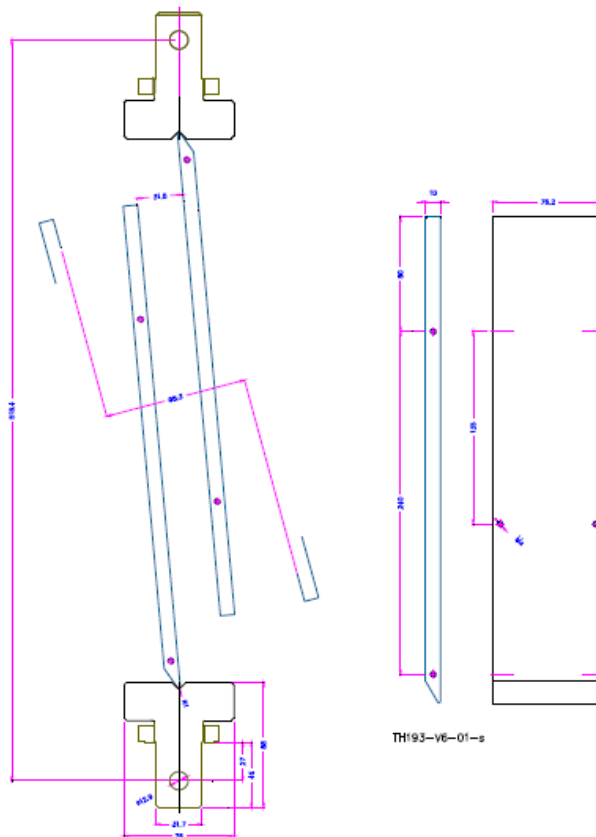
Compression shear test fixture with scale and stop, adjustable



TH193-V5-Af36

#### TH193-V6

Compression shear test fixture, not adjustable



TH193-V6-01-s

TH193-V6-Am317