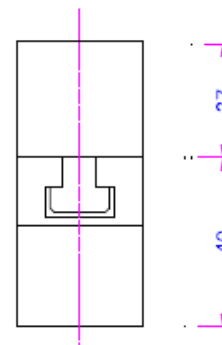
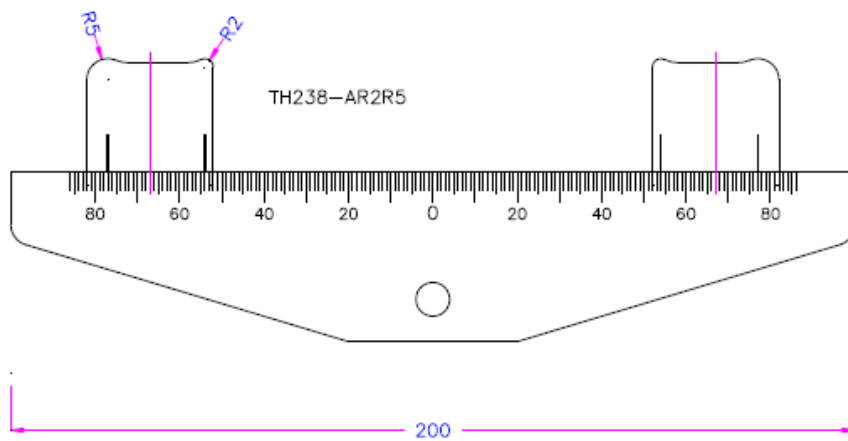
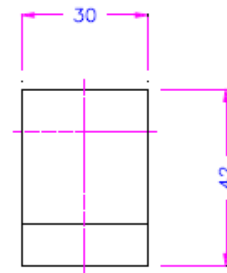
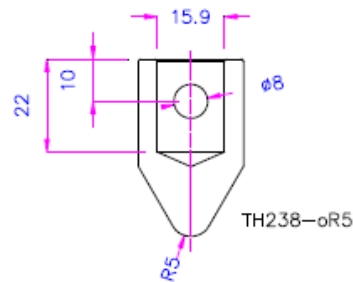







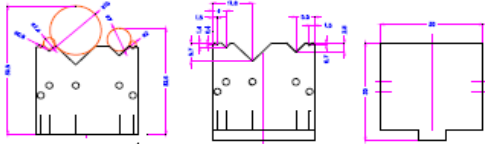

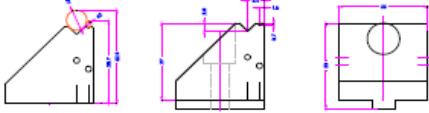
TH238

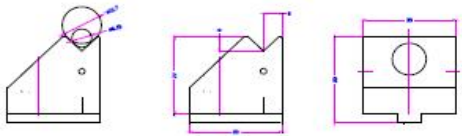



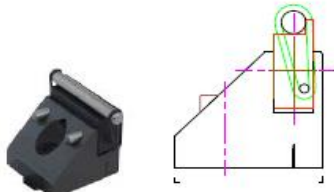


small bending fixture for universal usage

Aluminum and steel versions available



Item number	Description	Picture
TH238-ARR-oR	<p>Simple 3-point bending fixture Bar 200 mm</p> <p>Upper part: TH238-oR 0.5, 1, 1.5, 2, 3.2, 5, 10 mm 0.16 kg</p> <p>Lower parts – 2 support available AR1.5+R2.5; R2+R3; R2+R5; R3.2+R5; R4+R5 0.8 kg</p>	
TH238-4p-AX-CX	<p>4-point bending fixture with exchangeable rollers Bars 200 mm</p> <p>Upper support Type CX</p> <p>Lower supports Type AX</p>	
TH238-CWX-4P	<p>4-point bending fixture with exchangeable rollers Bars 200 mm</p> <p>Upper support Type CWX movable</p> <p>Lower supports Type CWX movable</p>	
TH238-AX6x100	<p>4-point bending fixture with exchangeable rollers Bars 200 mm</p> <p>Rollers: $\varnothing 6 \times 100$ mm</p>	
TH238-B300- B300-CWX4	<p>4-point bending fixture with exchangeable rollers Bars 300 mm</p> <p>Movable carrier</p> <p>Rollers: $\varnothing 4$ mm</p> <p>Upper/lower part: 3.0 kg each</p>	
TH238-CWR2-VS6	<p>Moveable support 6mm moved from center Radius 2mm</p>	

Item number	Description	Qt.	Picture
<i>Bars</i>			
TH238-B200	Lower bar, aluminum, anodized, 200 mm. Possible span distances 0-144 mm, 0-150 mm, 0-196 mm. Weight 0.4 kg.	1x	
TH238-B200-St	Lower bar, steel, 200 mm. Possible span distances 0-144 mm, 0-150 mm, 0-196 mm. Weight 1.2 kg.	1x	
TH238-B300-St	Lower bar steel, 300 mm, 2.6 kg	1x	
TH238-B350-St	Lower bar steel, 350 mm, 2.8 kg	1x	
TH238-B400-St	Lower bar steel, 400 mm, 3.2 kg	1x	
TH238-B430-St	Lower bar steel, 430 mm, 5.2 kg	1x	
<i>Supports</i>			
TH238-AR	Supports with 2 milled radii Hardened steel Available R1.5+R2.5; R2+R3; R2+R5; R3.2+R5; R4+R5 mm 0.2 kg	2x	
TH238-CR	Supports with 1 milled radius R: 0.5; 1; 1.5; 2; 2.5; 3.2; 5 mm 0.1 - 0.8 kg	2x	
TH238-CR..H..	Special supports with 1 milled radius E.g. radius 1 mm, height 130 mm	2x	
<i>Supports for rollers</i>			
TH238-AX	Supports for exchangeable rollers, 5 pins Rollers: Ø 1 to 15 mm 0.18 kg	2x	  <p style="text-align: right;">TH238-AX</p>
TH238-CX	Support for exchangeable rollers, 2 pins Rollers: Ø 1 to 7 mm 0.2 kg	2x	  <p style="text-align: right;">TH238-CX</p>

TH238-CX127	Support for roller 1 pin 6-13 mm Ø	2x		TH238-CX127
TH238-CW	Fixable supports for articulating carrier 0.12 kg	2x		TH238-CWGT
TH238-WEX	Movable carrier for exchangeable roller with pins and O-rings to fix the roller 0.003 kg	3x		
TH238-CWX	Articulating support with exchangeable roller 0.2 kg	2x		TH238-CWX5 TH238-CWX
TH238-CWN5	Movable carrier with exchangeable roller and 2 O-rings to fix the roller Roller 5 mm Ø on a flat plane area (3 mm height in stock) 0.2 kg	2x		
TH238-CWER2x120	Special fixable movable insets Radius R2 120 mm wide (not in stock)	3x		
TH238-CWR1Z	Movable support Zero span	2x		
TH238-CWM	Flat movable supports for glass	2x	