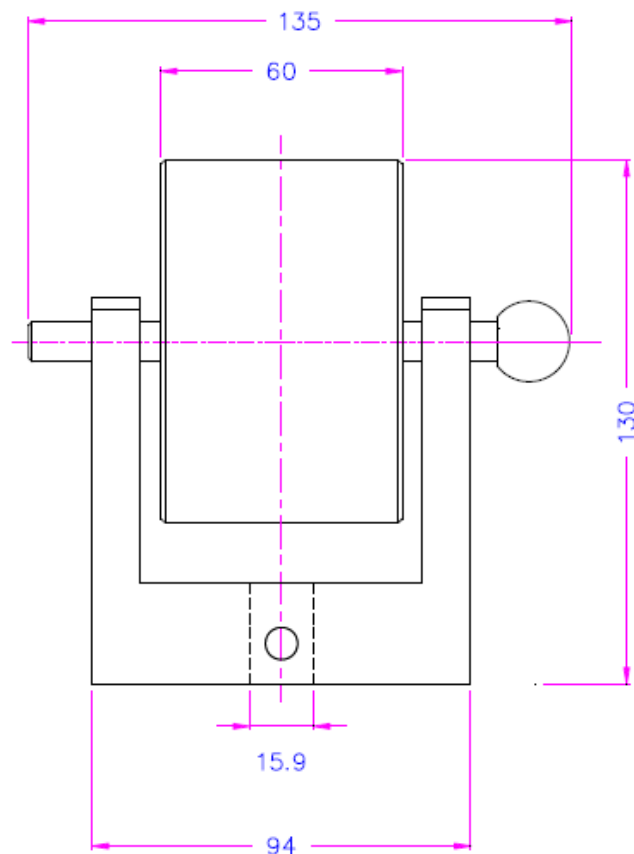
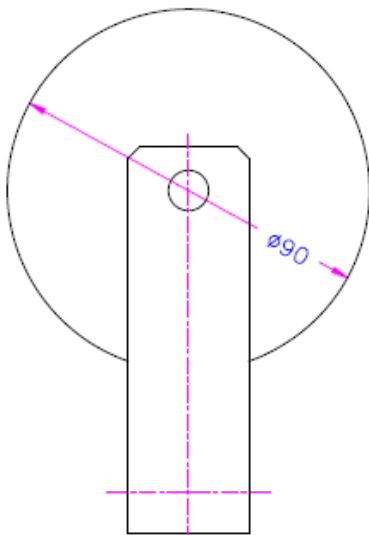


ROTATING GERMAN WHEEL PEEL FIXTURES

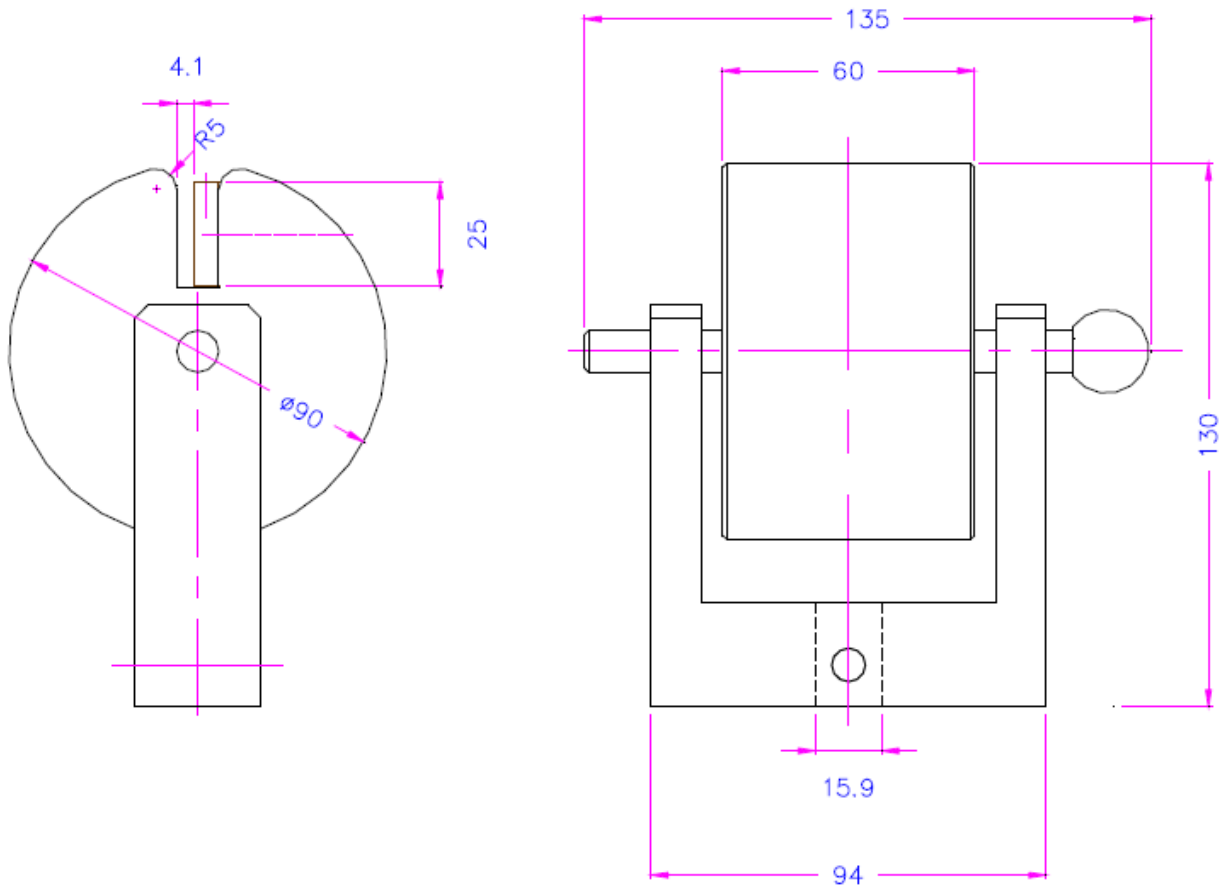
to test the bond strength of tapes, plastic and paper films, laminated release coatings at 90° peel angle.
Related standards: DIN 53357-B, ISO 6133, IPC-TM-650 2.4.9

Item no.:	TH3-90
Conforms to standard:	DIN 53357-B Testing of Plastic Sheets; Adhesion Test
Wheel Ø:	90 mm (3.54 in)
Coupling:	Af159 mm. Further couplings on request
Weight:	2 kg
Body:	Anodized aluminium
Holder:	Steel
Standard temperature range:	0 ... +70°C Further temperature ranges possible on request
Scope of delivery:	1 fixture



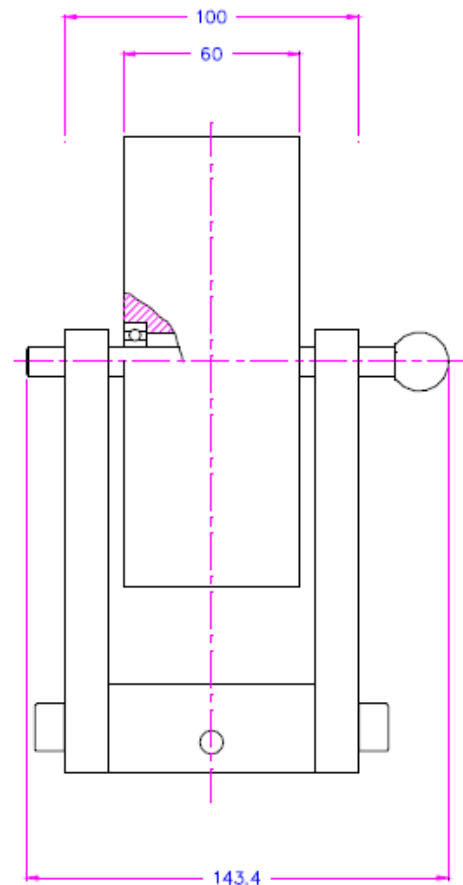
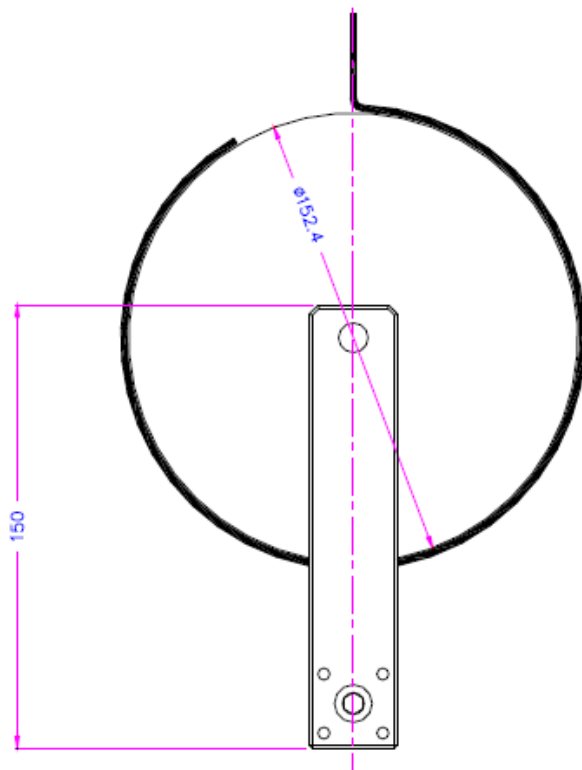
TH3-90

Item no.:	TH3-90-KL
With a clamp to fix the sample.	
Conforms to standard:	DIN 53357-B Testing of Plastic Sheets; Adhesion Test
Wheel Ø:	90 mm (3.54 in)
Coupling:	Af159 mm. Further couplings on request
Weight:	2.05 kg
Body:	Anodized aluminium
Holder:	Steel
Standard temperature range:	0 ... +70°C Further temperature ranges possible on request
Scope of delivery:	1 fixture



TH3-90-KL

Item no.:	TH3-152.4
Conforms to standards:	ISO 6133 Rubber and plastics - Analysis of multipeak traces obtained in determination of tear strength and adhesion strength
	IPC-TM-650 2.4.9 Peel Strength, Flexible Dielectric Materials
Wheel Ø:	152.4 mm (6 in)
Coupling:	Af159 mm. Further couplings on request
Weight:	3.3 kg
Body:	Anodized aluminium
Holder:	Steel
Standard temperature range:	0 ... +70°C Further temperature ranges possible on request
Scope of delivery:	1 fixture


TH3-152.4

Examples for customized solutions:



Item no.: TH3-S21
 Peel test fixture with interchangeable rollers:
 Ø 11.8, 13.8, 15.8, 21.8, 25.8 mm
 Weight: 1 kg

