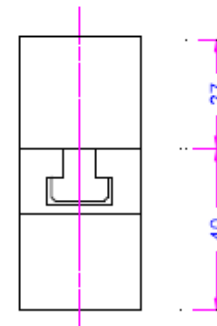
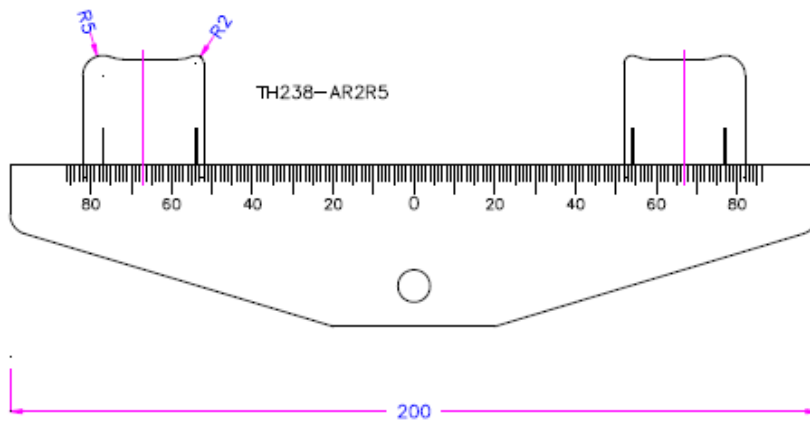
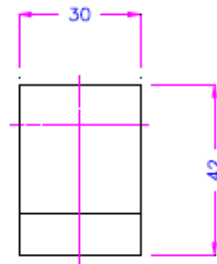
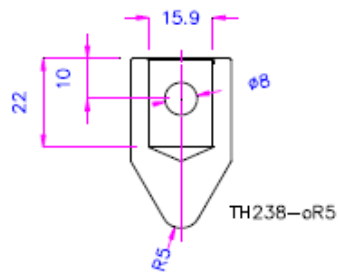







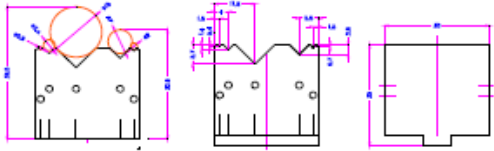
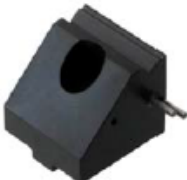
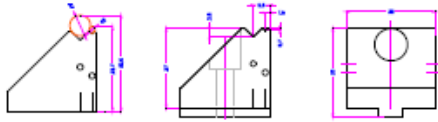
TH238

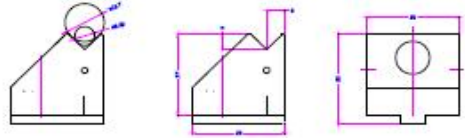
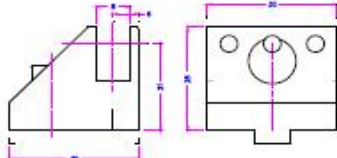


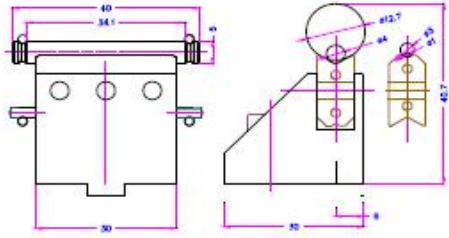

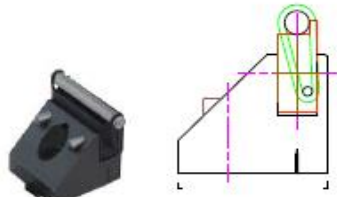



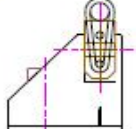
small bending fixture for universal usage

Aluminum and steel versions available



Item number	Description	Picture
TH238-ARR-oR	<p>Simple 3-point bending fixture Bar 200 mm</p> <p>Upper part: TH238-oR 0.5, 1, 1.5, 2, 3.2, 5, 10 mm 0.16 kg</p> <p>Lower parts – 2 support available AR1.5+R2.5; R2+R3; R2+R5; R3.2+R5; R4+R5 0.8 kg</p>	
TH238-4p-AX-CX	<p>4-point bending fixture with exchangeable rollers Bars 200 mm</p> <p>Upper support Type CX Lower supports Type AX</p>	
TH238-CWX-4P	<p>4-point bending fixture with exchangeable rollers Bars 200 mm</p> <p>Upper support Type CWX movable Lower supports Type CWX movable</p>	
TH238-AX6x100	<p>4-point bending fixture with exchangeable rollers Bars 200 mm</p> <p>Rollers: Ø 6 x 100 mm</p>	
TH238-B300-B300-CWX4	<p>4-point bending fixture with exchangeable rollers Bars 300 mm</p> <p>Movable carrier Rollers: Ø 4 mm Upper/lower part: 3.0 kg each</p>	
TH238-CWR2-VS6	<p>Moveable support 6mm moved from center Radius 2mm</p>	

Item number	Description	Qt.	Picture
<i>Bars</i>			
TH238-B200	Lower bar, aluminum, anodized, 200 mm. Possible span distances 0-144 mm, 0-150 mm, 0-196 mm. Weight 0.4 kg.	1x	
TH238-B200-St	Lower bar, steel, 200 mm. Possible span distances 0-144 mm, 0-150 mm, 0-196 mm. Weight 1.2 kg.	1x	
TH238-B300-St	Lower bar steel, 300 mm, 2.6 kg	1x	
TH238-B350-St	Lower bar steel, 350 mm, 2.8 kg	1x	
TH238-B400-St	Lower bar steel, 400 mm, 3.2 kg	1x	
TH238-B430-St	Lower bar steel, 430 mm, 5.2 kg	1x	
<i>Supports</i>			
TH238-AR	Supports with 2 milled radii Hardened steel Available R1.5+R2.5; R2+R3; R2+R5; R3.2+R5; R4+R5 mm 0.2 kg	2x	
TH238-CR	Supports with 1 milled radius R: 0.5; 1; 1.5; 2; 2.5; 3.2; 5 mm 0.1 - 0.8 kg	2x	
TH238-CR..H..	Special supports with 1 milled radius E.g. radius 1 mm, height 130 mm	2x	
<i>Supports for rollers</i>			
TH238-AX	Supports for exchangeable rollers, 5 pins Rollers: Ø 1 to 15 mm 0.18 kg	2x	  <p style="text-align: right;">TH238-AX</p>
TH238-CX	Support for exchangeable rollers, 2 pins Rollers: Ø 1 to 7 mm 0.2 kg	2x	  <p style="text-align: right;">TH238-CX</p>

TH238-CX127	Support for roller 1 pin 6-13 mm Ø	2x	
			TH238-CX127
TH238-CW	Fixable supports for articulating carrier 0.12 kg	2x	
			TH238-CWGT
TH238-WEX	Movable carrier for exchangeable roller with pins and O-rings to fix the roller 0.003 kg	3x	
TH238-CWX	Articulating support with exchangeable roller 0.2 kg	2x	
			TH238-CWX5 TH238-CWX
TH238-CWN5	Movable carrier with exchangeable roller and 2 O-rings to fix the roller Roller 5 mm Ø on a flat plane area (3 mm height in stock) 0.2 kg	2x	
			
TH238-CWER2x120	Special fixable movable insets Radius R2 120 mm wide (not in stock)	3x	
TH238-CWR1Z	Movable support Zero span	2x	
TH238-CWM	Flat movable supports for glass	2x	



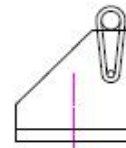
AMSE S.r.l. Analytical & Material Science Equipment

P. IVA 09762820018 | Strada della Cebrosa 86 | 10156 Torino (TO) Italy | Tel. +39.011.27.30.000 | Fax +39.011.27.404.58 | info@amse.it www.amse.it

TH238-CWR5 Movable inset rolling with needle bearings 2x



TH238-CM Flat free rolling support for glass 2x



TH238-D Rollers hardened
 Ø 1-12.7 mm
 D3x100 = 3 mm Ø and 100 mm length



TH238-DxL Roller of special length + 2 O-Rings + 2 extra pins or magnets 3x
 3x56; 3x105; 6x105; 10x105 mm



Upper anvils

TH238-oR... Upper part anvil with milled radius 1, 1.5; 2; 3; 4; 5; 12.5 mm 1x
 0.2 kg



TH238-oX Upper part anvil with milled V to carry different diameters
 oX3 keeps 1-3.2 mm Ø
 oX12 keeps 4-12.7 mm Ø 1x
 0.2 kg



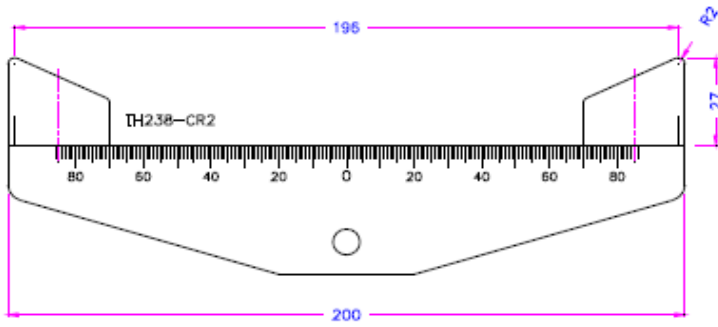
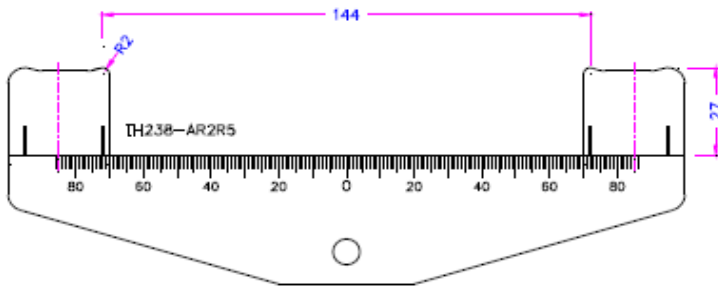
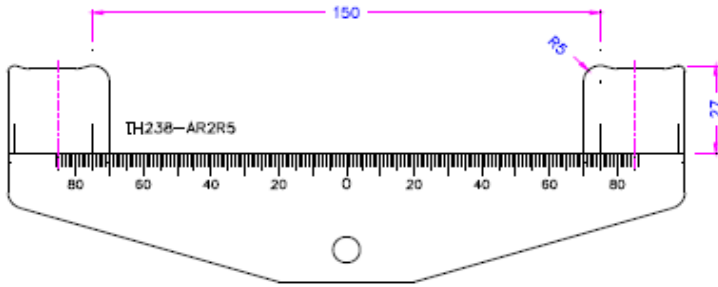
TH238-oW Upper part for articulating carrier 1x
 Additional parts see TH238-W
 0.2 kg



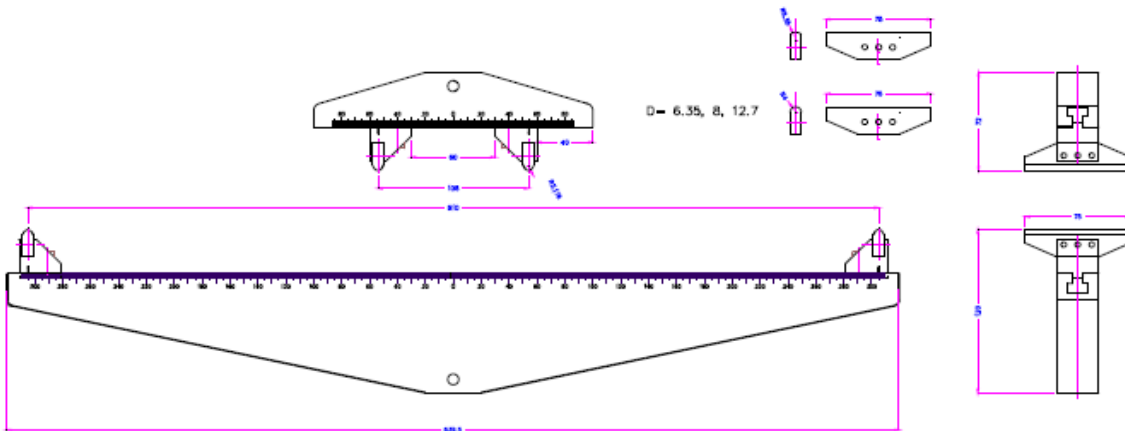
TH238-oWX- Movable anvil fixable with exchangeable roller 1x
 0.1 kg



Possible span distances:

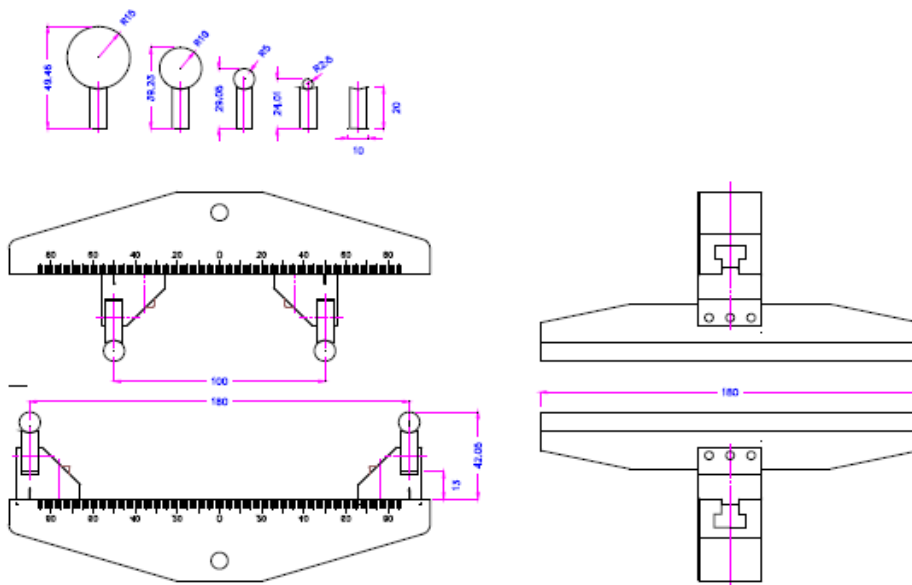


Examples:



TH238-4P-B640-B200-CWR635-8-127x75

Articulating carrier with radius 6.35 mm



TH238-4P-CWXd180.....



TH238-B300--4P-CWR5x170

TH238



TH238-4P-CWXD8-iTH1-AfDP10s iTH1

With extensometer for chamber use



TH238-4P-CWX15x180



TH238-CWXD4 iTH1

Holder for internal extensometer
8 mm

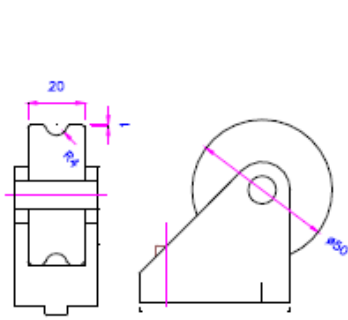


TH238-CWxD4-iTH2

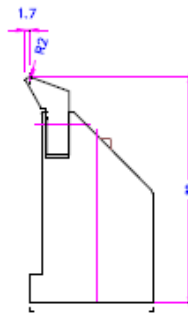
Holder for external extensometer

TH238-CR01

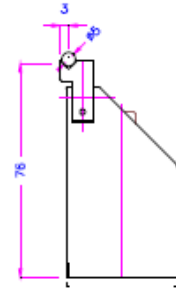
Radius 0.1 mm



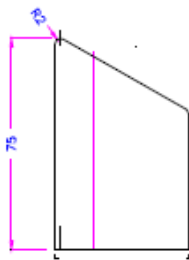
TH238-CVD50R4



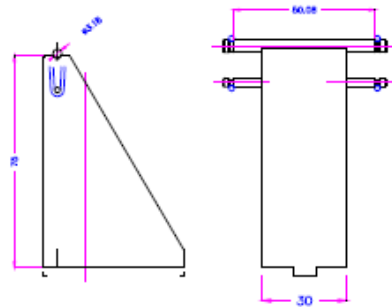
TH238-CWS17R2-H80



TH238-CWXS3D5-H76

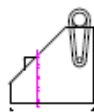


TH238-CR2H75



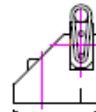
TH238-CXV3.18x50,08H75

CM



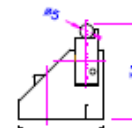
-CM

CWM

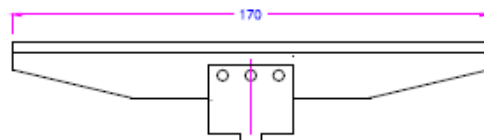
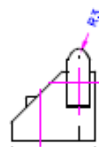


-CWM

CWN



-CWN



TH238-CWR3x170

TH238-CW + TH238-WR3x170

**THS884+TH238-300-cr2-or5**