

## COMPRESSION LOADING FIXTURE FOR COMPOSITE TESTING

Conform to ASTM D3410, ISO8515, EN ISO14126, AiTM1-0008

150 kN

2 wedge grips with guiding columns

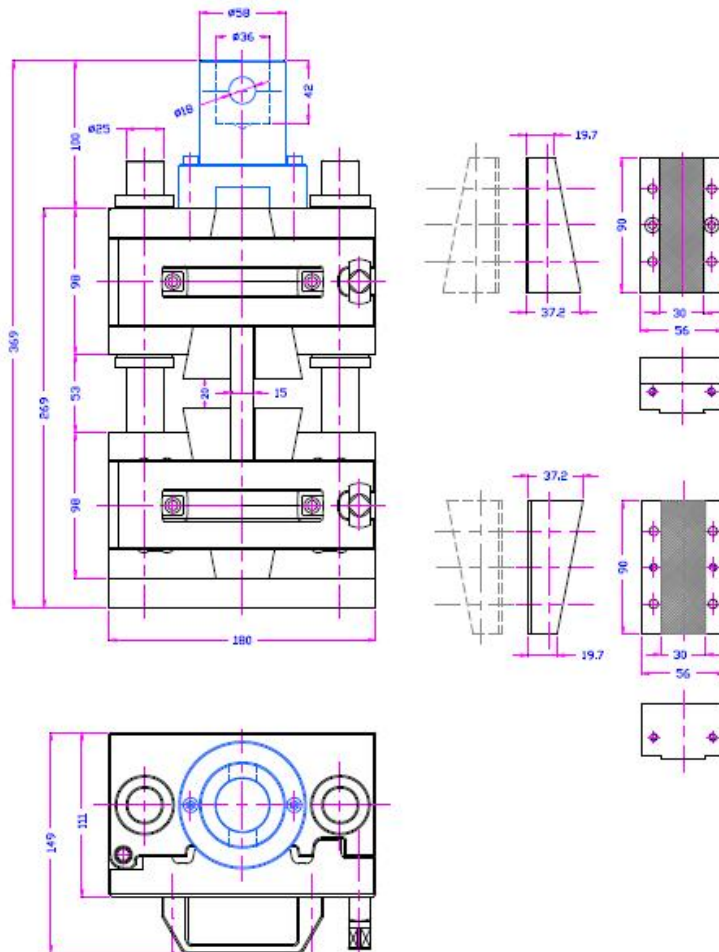
Dimensions 300 x 180 x 98 mm

Steel, nickel-plated

Temperature range -20°C - +80°C

Weight ca. 25 kg without jaws

Scope of delivery: 1 fixture without jaws



THS613

**Wedge jaws for TH56g:** Scope of delivery: 1 set = 4 jaws

Item no.	Surface	Clamping surface H x W	Sample Ø	Weight per pair
THS613-BP6	Pyramid jaws	30 x 90 mm	0 - 6 mm	Ca. 2.2 kg
THS613-BP15	Pyramid jaws	30 x 90 mm	6 - 15 mm	Ca. 1.8 kg